

December 2020 SPED Update

1 message

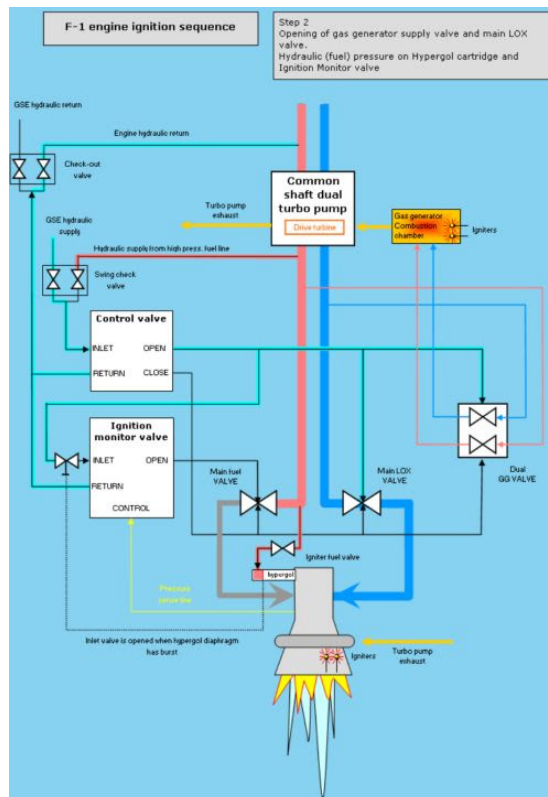
SPED <constantcontact@spedweb.com>
Reply-To: constantcontact@spedweb.com
To: paul.bowers.montreal@gmail.com

Mon, Dec 14, 2020 at 8:17 AM



Society of Piping Engineers and Designers

December 2020 SPED Update



Membership News

New Members and Renewals

SNC Lavalin, Large Corporate

Thomas Carangian
Mohamed Arafa Ahmed Arafa
Joseph Mickins
Susan Yu
Javier Mate Bores
Charles Draper
Bruce Fraser
Michael Baldwin
Expedito Rafael Mangué
Peter Wiechecki
Matthew Beckles
Robert Oakley
Samuel Ferguson
Krisjon Sison
Abdelrahman Shalabi
Matthew Uduak
Abdelrhman Mazouk
Rajesh Ghosh
Kevin Petursson
Christopher Bowman
Oluwatosin Laolu Ogunsola
Adrian Cartis
Fares Ahmed Mohamed Ali
Michael Dyrgas
Stephen Blake

PPD Certification Achieved

Mark Dryden
Khaled El-Gohary

New PBC and PPL Students

Gary Sanders
Krisjon Sison
Adrian Cartis

PBC Completion

Adrian Cartis
Arti Patel
Elian Jimenez

High Purity Course Module Completion

Ahmed Sleem
Elvis-Bob Ohia Bechiro
Mahmoud Mohammed Sami Salem Hassan
Mohamed Ayman Awad
Mohamed Sambo Mahmoud
Robert Oakley

Said Hallouche
Senthilkumar Ramaswamy
Sheldon Bassant
Sonja Pagel
Tyler Sandwith
Charles Draper
Matthew Uduak
Arti Patel
Moustafa Zeraoula

SPED 2020 Election Results

[PDF1](#)

[PDF2](#)

2020 Annual General Business Meeting

[View the 1.5 hour video at the SPED YouTube Channel](#)

ClearEdge3D Scan-to-BIM 101 (Webinar Video)

["Getting Started with Scan to BIM"](#)



ASME B31.3 Process Piping – Substantive Changes in the 2020 Edition

"The new edition for ASME B31.1, Process Piping, has been issued (December 2020). As usual, there are many clarifications, updated references to codes and standards, updates to basic allowable stresses and added listed materials to the 2018 Edition."



Free to SPED Members - High Purity Piping Module

The SPED Board has released its new module on High Purity Piping. The module is free to SPED members. High-Purity piping is important in many industries, including:

- Food, Dairy, and Beverage
- Pharmaceutical
- Bioprocessing
- Semi-Conductor

This module is a quick overview of the standards and practices utilized in High-Purity piping and equipment.

The module is free to all SPED members. Registration can be done yourself, with the enrollment key given to you by this office.

For more information contact
catherine_van_der_walt@spedweb.com

Special COVID-19 Home Study Pricing Continues for December 2020 and January 2021

SPED recognizes that many of our members are under stay-at-home orders. We must work and study away from workplaces and schools.

Continuing for the months of December and January, SPED is offering a bundle price for its two online courses, *Piper Bootcamp* and *Process Plant Layout*. For the price of the course (membership required), both the course and PPD Certification Testing and application is included. This is a US\$250 savings.

We hope this helps utilize the time productively. Please stay safe!

For more information contact
catherine_van_der_walt@spedweb.com

When and Why Have Raised Faces on API Flanges?

"I have noticed some API RTJ flanges have raised faces, and some do not. When and why should an API flange have a raised face?"

SPED Membership Countries Map

[Where are SPED members](#)

High Value Centers - Lov'Em or Hate'Em

(LinkedIn account required)

[Exporting engineering work from western countries to lower cost regions](#)



OptiPlant / SPED Training Results

A student survey is to follow, watch your email inbox

OptiPlant Basic Training Completion

Kevin Noakes
Paul Bowers
Jimmy Garcia
William Beazley
Chris Bowman
Johnny Dernulc
Sheldon Bassant
Glen Payne

Mahmoud Mohammed Sami Salem Hassan
Khaled El-Gohary

OptiPlant Automated Layout Tech Awareness Completion

Kevin Noakes
Paul Bowers
Khaled El-Gohary
Clarence Wynter
Tyler Sandwith

Shanmagusandaram Subramanian
Jimmy Garcia
Michael Joseph G Liquigan
Johnny Dernulc
Abdelrhman Marzouk

Elvis-Bob Bechiro
Bir Singh Khangura
Sheldon Bassant
Robert Oakley
Glen Payne
Michael Dyrigas
Mahmoud Mohammed Sami Salem Hassan
Frank D. Haesler
William Beazley
Chris Bowman

REMINDER TO SPED MEMBERS TO UPDATE THEIR PROFILES AND PROVIDE A NON-WORK CONTACT EMAIL ADDRESS

Many SPED members use their work email address when they join SPED, but this means that we will lose your contact details if you change jobs. Login at spedweb.com and keep your email address up-to-date.

New Website Design for SPEDweb.com is Live

All seems to be working fine but we ask members to log in to their accounts to verify they have still access.

The image shows a screenshot of the Professional Piping Designer Certification website. The header includes the title "Professional Piping Designer Certification" and contact information: "GET CERTIFIED WITH SPED" and "FOR MORE INFORMATION: EMAIL CVON@SPEDWEB.COM OR CALL 1-713-960-6478". The page is divided into several sections: "Are You Certified?", "LEVELS OF PPD CERTIFICATION" (listing Level I: Basic PPD, Level II: Advanced PPD, Level III: Senior PPD, and Level IV: Lead PPD), "About Certification" (describing the practical testing and experience requirements), "Steps to PPD Level I Certification" (a 4-step process), "Steps to PPD Level Advance" (a 4-step process), and "Two Steps to Renew" (a 2-step process). A small photo of a group of people is visible at the bottom left of the page.

Flexicraft is your one call for every style of expansion joint and flexible connector.



Don't forget that SPED is always on the lookout for member-written piping-related articles to publish at the website

Happy Holidays - see you all next year and stay safe!

Promoting Excellence and Quality in Piping Design Since 1981 | Copyright 2018 Society of Piping Engineers and Designers, Houston, Texas | 713-960-4478

SPED | [9668 Westheimer Road, Suite 200](#) - 242, Houston, TX 77063

[Unsubscribe paul.bowers.montreal@gmail.com](#)

[Update Profile](#) | [About our service provider](#)

Sent by [constantcontact@spedweb.com](#) powered by



Try email marketing for free today!