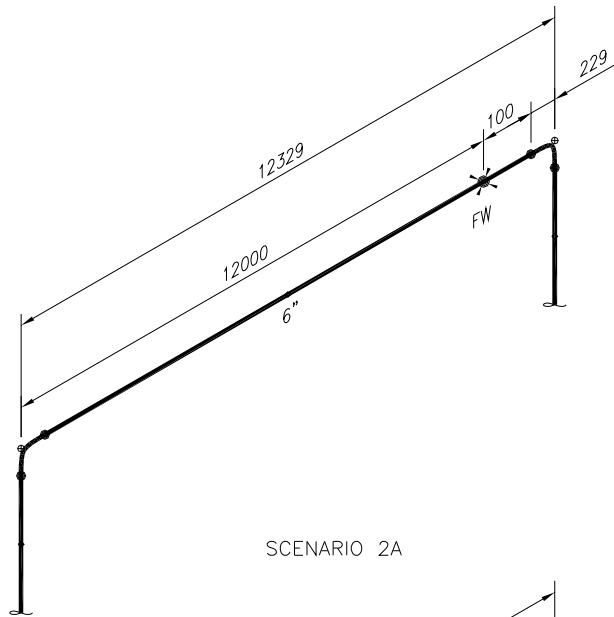


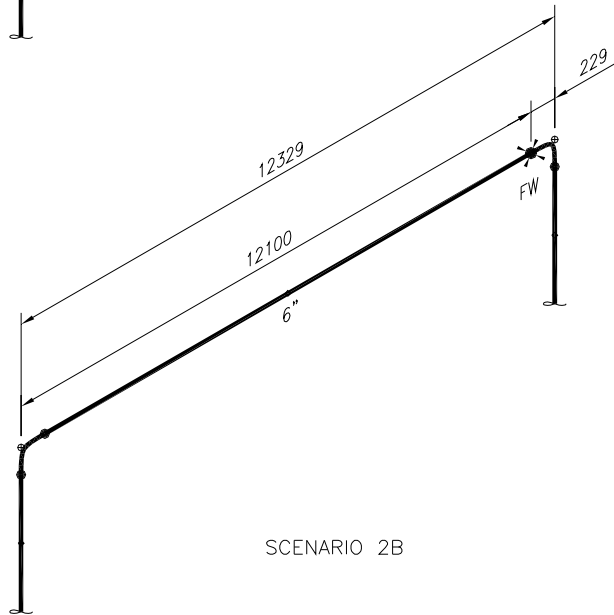
SKETCH 1

NOTES:

1. Imagine a box 3M x 3M x 12M. This is referred to as the "SHIPPING BOX SIZE". There is no actual shipping box. Spools are shipped on an open flat bed trailer.
2. The 3M x 3M x 12M limit is to keep the spools within the width, length and height restrictions of allowable overhang for transportation.
3. 3M x 3M x 12M refers to maximum dimensions between Centerlines and End of Pipe or Face of Flange.



SCENARIO 2A

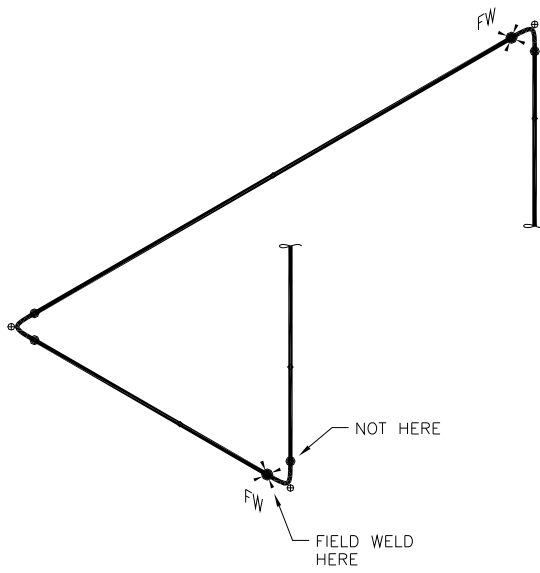


SCENARIO 2B

SKETCH 2

NOTE:

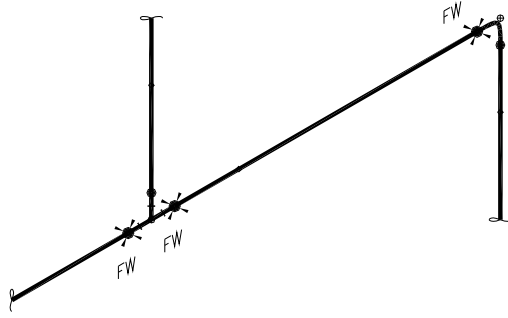
Small exceeding of the shipping length is allowed. Scenario 2B is preferred. By adding the 100mm of extra pipe to the 12m length of the longer spool we eliminate one shop weld



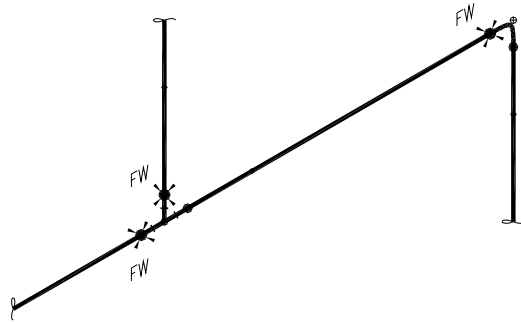
SKETCH 3

NOTE:

This is preferred, not mandatory, but should be followed wherever possible.

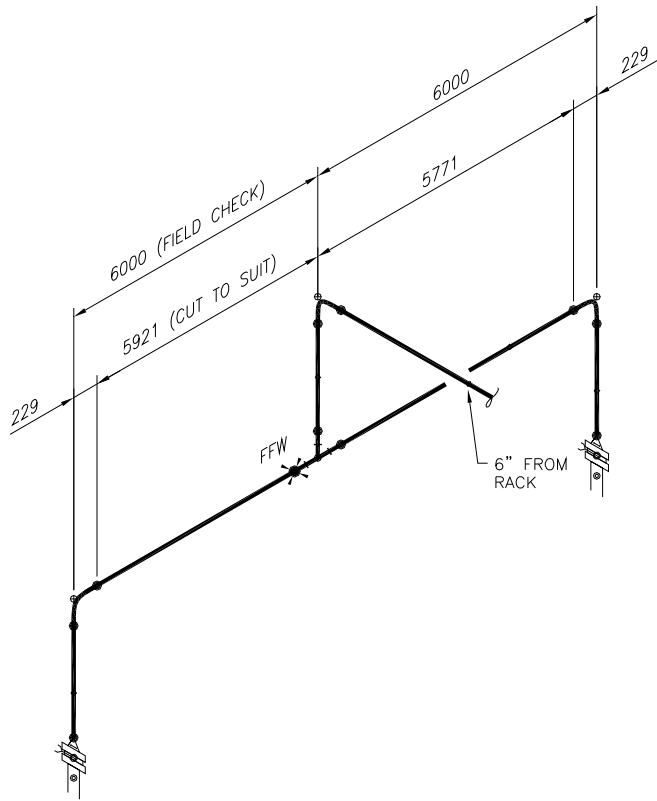


INCORRECT

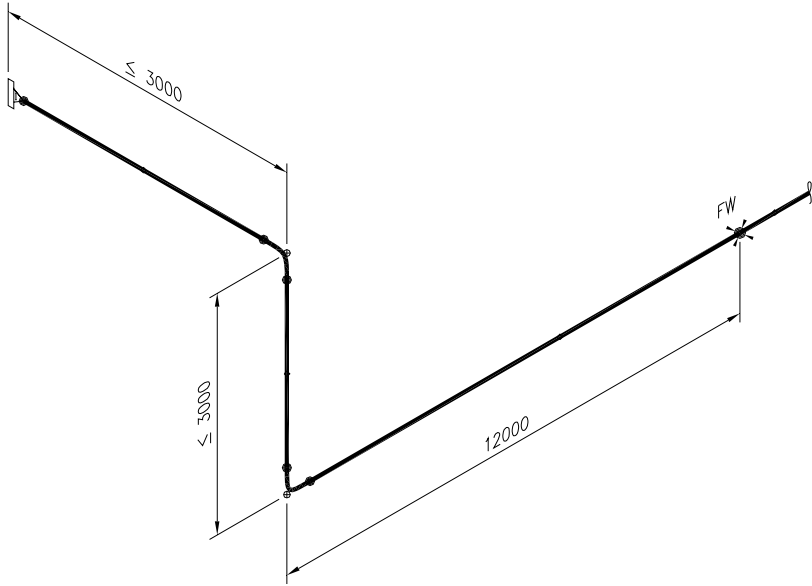


CORRECT

SKETCH 4



SKETCH 5



SKETCH 6